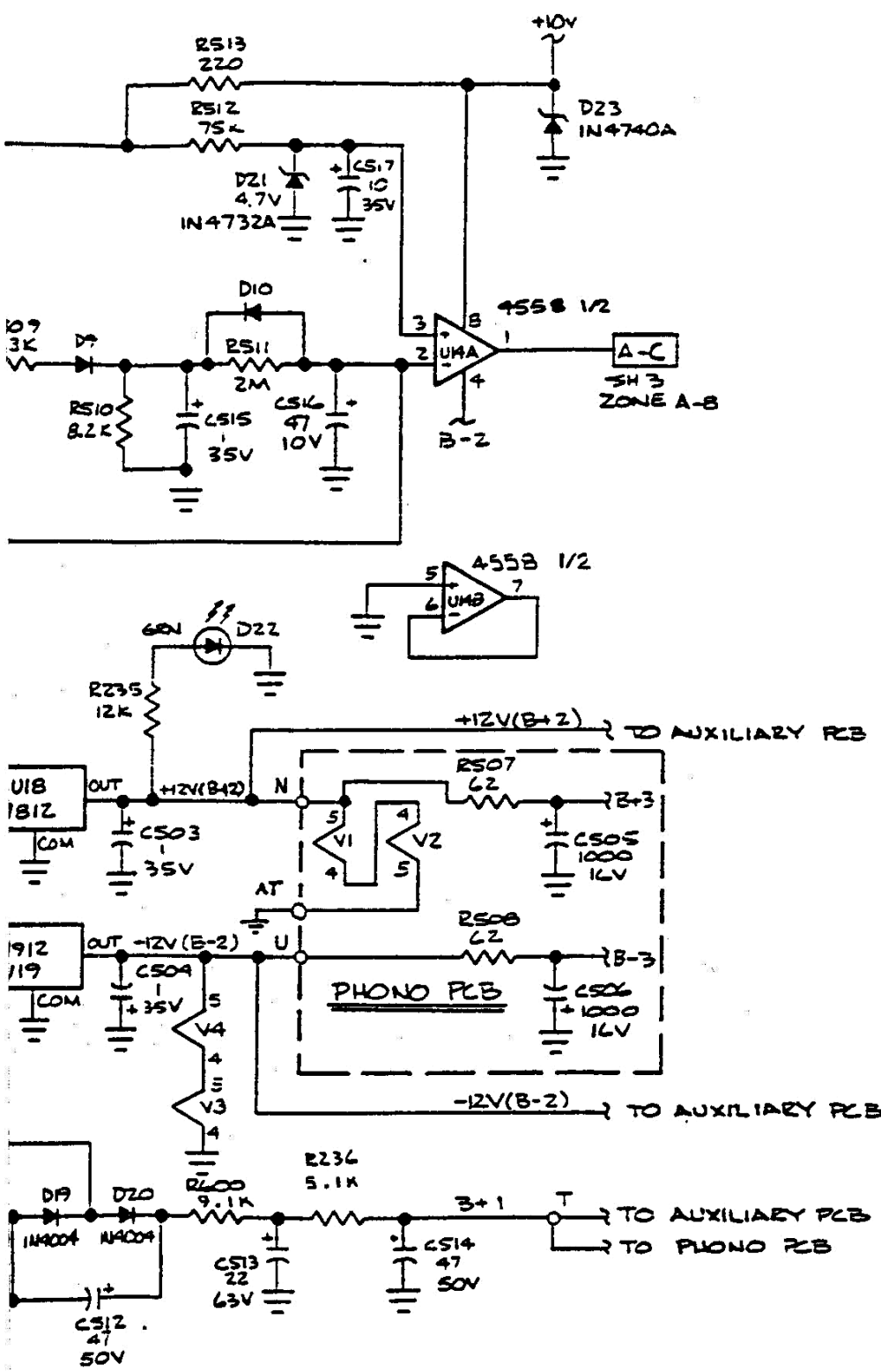


605-XXXXX-00 | 1 | D |

REVISIONS			
ZONE	REV	DESCRIPTION	DATE
	1	PROTOTYPE 2	6-22-89
BB	2	ADDED C499	7-20-89
	3	RELEASED TO PILOT	9-8-89
	A	RELEASED TO PRODUCTION.	12-7-89
	B	INCRP ECC # 325	1-8-90
	C	INCRP ECC # 1355	2-13-90
	D	INCRP ECC # 1353	3-16-90



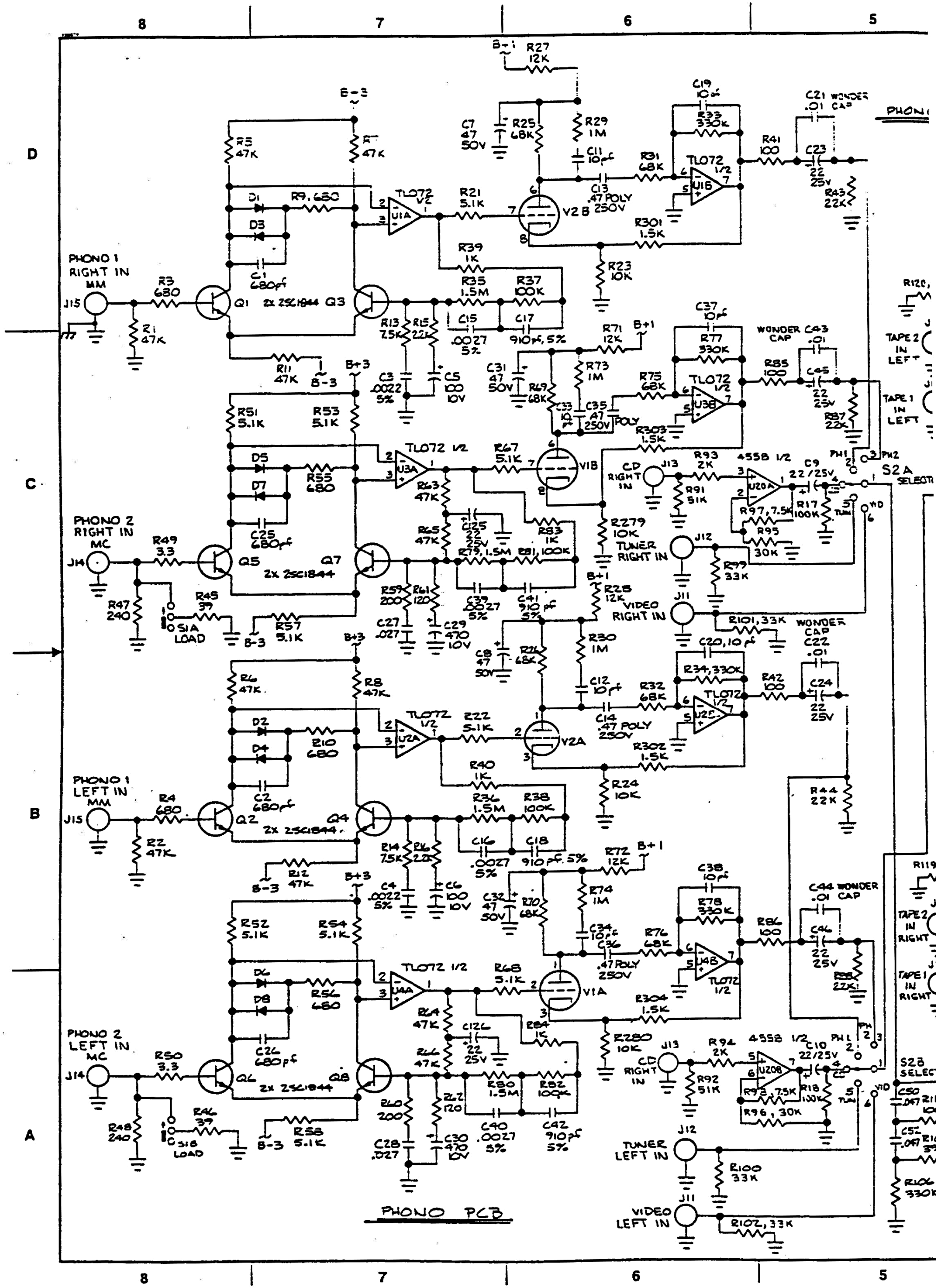
DEVICE LOCATOR CHART						
DEVICE LOCATION	DEVICE TYPE	POWER PINS				SPACE OUTP PINS
		+12V	-12V	GND	+10V	
U1-4,6-20	TL072	5	4			
U10	4136	11	7			
U11	4136	11	7			
U12	TL072	5	4			
U13	TL072	5	4			
U14	4558		4		8	5,6,7
U15	4136	11	7			
U16	4136	11	7			
U18	7812					
U19	7912					
U5, U20	4558	8	4			
U21	TL072	8	4			

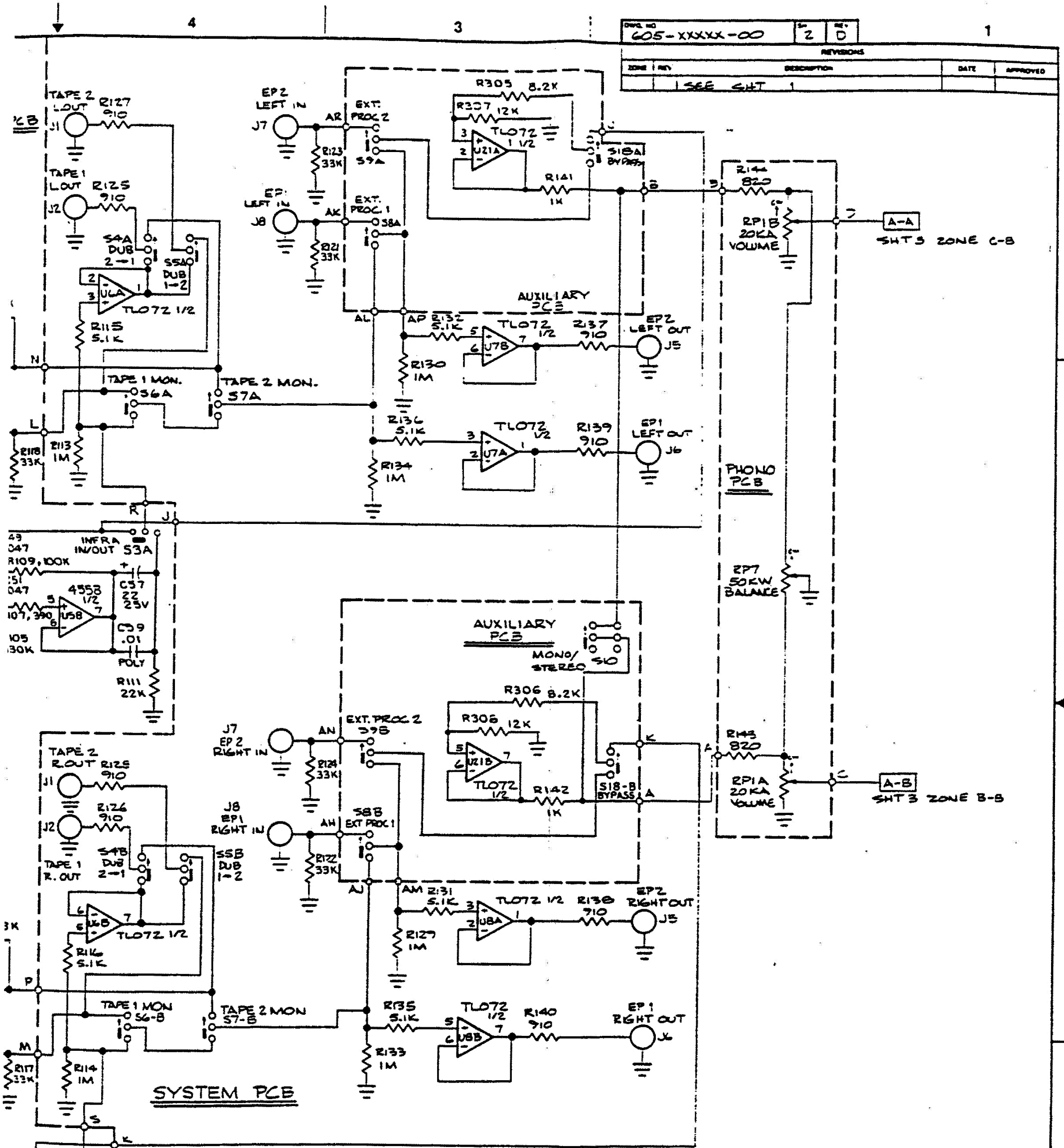
REFERENCE DESIGNATIONS	
LAST USED	NOT USED
C134, 517	C67, 68, 127, 128, 135-140
D23	
F1	
J15	
Q12	
R312, 515, 600	R19, 20, 89, 90, 147, 148 293, 294, 300, 313-302 503-506, 514, 516-594
S19	
U21	U17

- 6 USE 1/2 AMP FUSE ON 115V APPLICATION, USE 1/4 AMP FUSE ON 230V APPLICATION.
  - 5 FOR 230V VERSION, CONNECT BLUE TRANSFORMER WIRE TO WP-BF, AND THE RED WIRE TO WP-BE.
  - 4. ALL DIODES ARE IN4148.
  - 3 SAFETY PARTS, USE ONLY REPLACEMENT PARTS RECOMMENDED BY MANUFACTURER.
  - 2. ALL CAPACITOR VALUES ARE IN MICROFARADS, 10%.
  - 1. ALL RESISTOR VALUES ARE IN OHMS, 1/4W, 5%.
- NOTES: UNLESS OTHERWISE SPECIFIED;

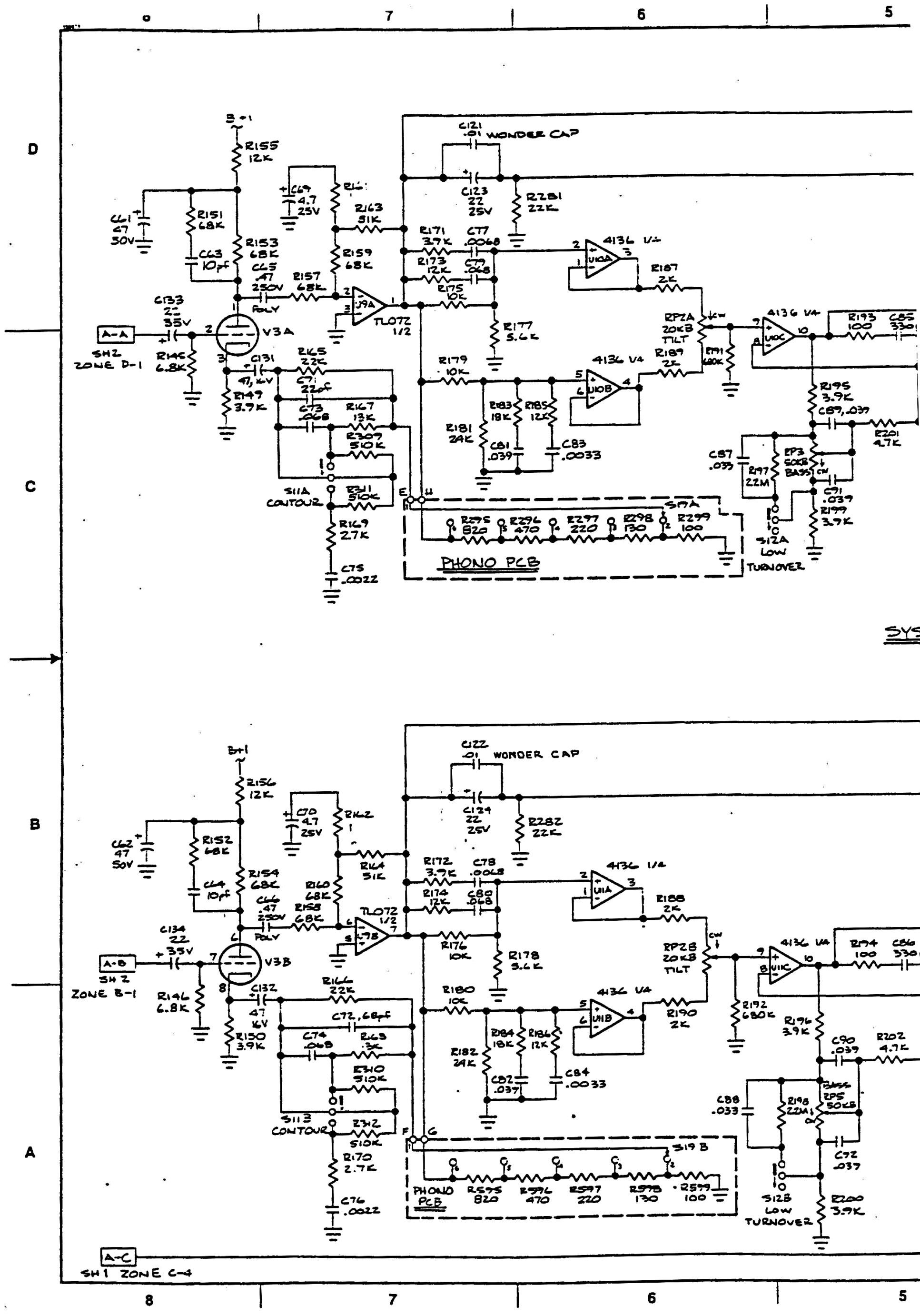
605-00717-00	SWITCH PCB
605-00716-00	AUXILIARY PCB
605-00715-00	PHONO PCB
605-00714-00	SYSTEM PCB
SCHMATIC P/N	SCHMATIC NAME
SCHEMATIC DIAGRAM	

UNLESS OTHERWISE SPECIFIED DIMENSIONS ARE IN INCHES TOLERANCES ARE FRACTIONS DECIMALS ANGLES ± .01 ± .005 ± .01		CONTRACT NO		<h1>CARVER</h1>
MATERIAL		APPROVALS	DATE	
FINISH		DRG BY M. KAWAJA JGH	6-22-89	SCHEMATIC DIAGRAM PRE AMP, C-19
DO NOT SCALE DRAWING		CHECKED J. EDWARDS	6-22-89	
APPLICATION		ENG. J. Edwards	DATE 6-22-89	SIZE D
		ISSUED TV	DATE 2-11-89	DWG NO 605-XXXXX-00
				SCALE NONE
				SHEET 1 OF 3





UNLESS OTHERWISE SPECIFIED DIMENSIONS ARE IN INCHES TOLERANCES ARE FRACTIONS DECIMALS ANGLES .XX .XXX .XXX	CONTRACT NO.		<h1>CARVER</h1>
	APPROVALS DATE DRAWN: R. K. ... 6-21-57 CHECKED: J. EDWARDS 6-22-59 DESIGNED: ... 5-1-67 ISSUED: ...		
MATERIAL FINISH APPLICATION	DO NOT SCALE DRAWING	SCALE: N/A	SHEET 2 OF 3



SYS



# CARVER CORPORATION SERVICE BULLETIN

Service Bulletin # C-19-1

Model: C-19

Serial Nos. Before 000822

REASON: To prevent fuse from blowing when turning on.

Date: 10/30/92

## DELETE

For 120V version:

Qty 1 Fuse, AGC 1/2  
P/N 315-10504-00

For 230V version:

Qty 1 Fuse, AGC 1/4  
P/N 315-10503-00

## ADD

For 120V version:

Qty 1 Fuse, MDL 1/2  
P/N 315-12012-00

For 230V version:

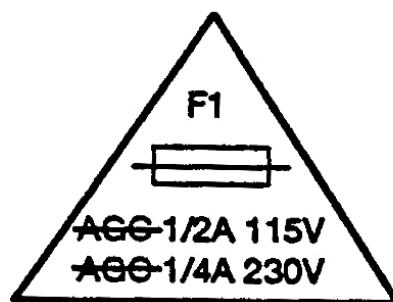
Qty 1 Fuse, MDL 1/4  
P/N 315-12011-00

## PROCEDURE

C-19 preamplifiers manufactured before serial number 000822 contain fast-blow fuses, which have been found to occasionally blow from the turn-on surge when the unit is switched on.

If the C-19 has a serial number below 000822, or if the fuse blows for no apparent reason, verify that it has a slow-blow (MDL) fuse.

1. Turn unit off and unplug from outlet.
2. Remove top cover by removing 8 screws.
3. Locate fuse in fuse clip on PCB.
4. Remove fuse from fuse clip and verify that it is an MDL-type.
5. If not, replace with an MDL 1/2A fuse for 120V units, or an MDL 1/4A fuse for 230V units.
6. Use an indelible marker to blacken out the letters "AGC" on the PCB screening near the fuse.
7. Replace top cover.



Service Approval

*B. Cap* 11/2/92

Engineering Approval

*V. J. ...*

11-2-92